

# KBZ(1.5-5.5kW) Construction site pump



## Application

- Civil engineering
- Mines, quarries, sludge
- Wastewater treatment plant

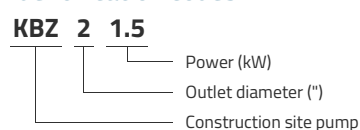
## Pompe

- Max flow: 156 m<sup>3</sup>/h
- HMT max: 57 m
- Maximum immersion depth: 25 m
- Maximum liquid temperature: +40°C
- Maximum particle passage diameter: 8,5 mm
- Top mechanical seal in silicon carbide / silicon carbide from 3.7 kW
- Barbed outlet as standard
- Accessories of the threaded or tapped connection outlet type
- Cable length: 20 m

## Moteur

- Insulation class: B
- Protection class: IP68

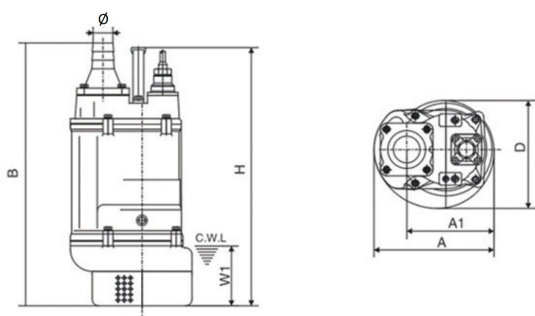
## Identification codes



## Technical data

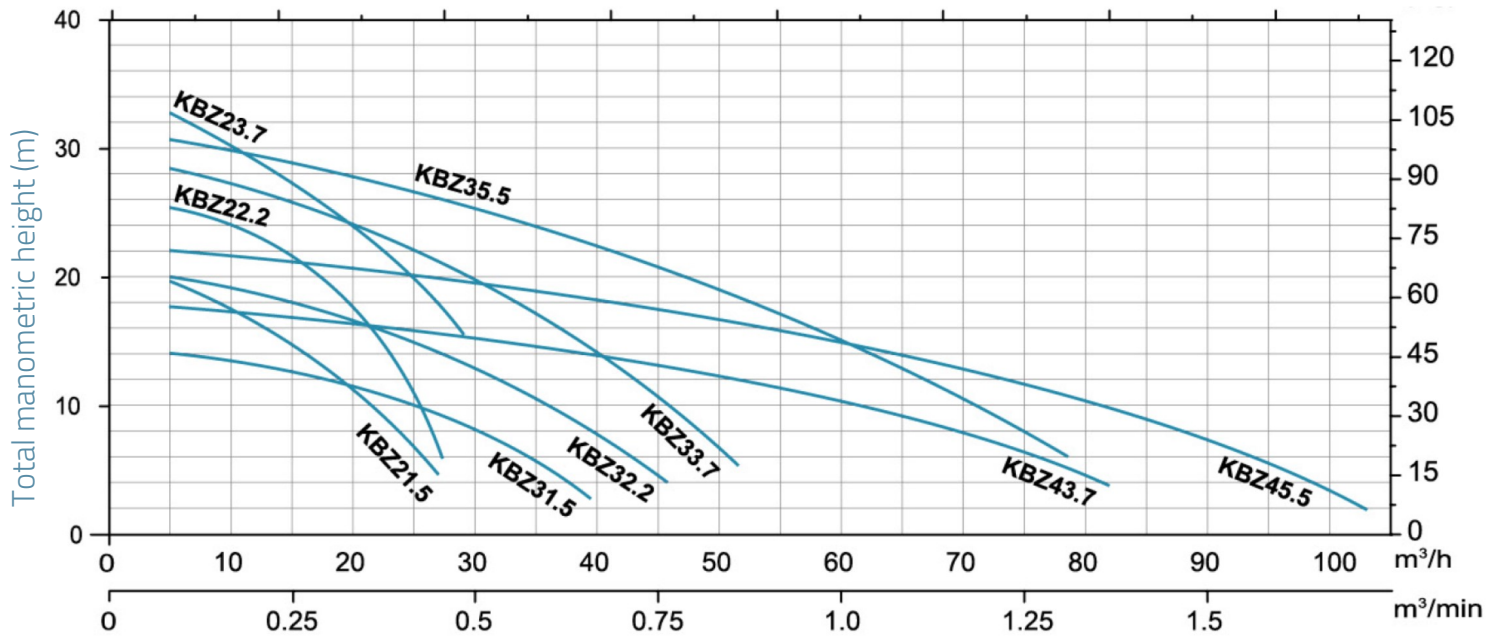
| MODEL    | kW  | Q (m <sup>3</sup> /h) |      |      |      |      |      |      |      |      |      |      |     |     |    |    |    |     |  |
|----------|-----|-----------------------|------|------|------|------|------|------|------|------|------|------|-----|-----|----|----|----|-----|--|
|          |     | 0                     | 5    | 10   | 15   | 20   | 25   | 30   | 35   | 40   | 45   | 50   | 55  | 60  | 70 | 80 | 90 | 100 |  |
| KBZ21.5  | 1.5 | 23.1                  | 20.9 | 19.4 | 17.4 | 14.4 | 11   | 7.2  |      |      |      |      |     |     |    |    |    |     |  |
| KBZ21.5F | 1.5 | 23.1                  | 20.9 | 19.4 | 17.4 | 14.4 | 11   | 7.2  |      |      |      |      |     |     |    |    |    |     |  |
| KBZ21.5M | 1.5 | 23.1                  | 20.9 | 19.4 | 17.4 | 14.4 | 11   | 7.2  |      |      |      |      |     |     |    |    |    |     |  |
| KBZ22.2  | 2.2 | 27.8                  | 27.5 | 26.6 | 24.7 | 21.5 | 16.7 | 10.9 |      |      |      |      |     |     |    |    |    |     |  |
| KBZ22.2F | 2.2 | 27.8                  | 27.5 | 26.6 | 24.7 | 21.5 | 16.7 | 10.9 |      |      |      |      |     |     |    |    |    |     |  |
| KBZ22.2M | 2.2 | 27.8                  | 27.5 | 26.6 | 24.7 | 21.5 | 16.7 | 10.9 |      |      |      |      |     |     |    |    |    |     |  |
| KBZ23.7  | 3.7 | 34                    | 33   | 31.1 | 28.3 | 23.5 | 17.9 | 12   |      |      |      |      |     |     |    |    |    |     |  |
| KBZ23.7F | 3.7 | 34                    | 33   | 31.1 | 28.3 | 23.5 | 17.9 | 12   |      |      |      |      |     |     |    |    |    |     |  |
| KBZ23.7M | 3.7 | 34                    | 33   | 31.1 | 28.3 | 23.5 | 17.9 | 12   |      |      |      |      |     |     |    |    |    |     |  |
| KBZ31.5  | 1.5 | 14.3                  | 13.8 | 13.2 | 12.4 | 11.4 | 10.2 | 8.4  | 6.1  | 3.5  |      |      |     |     |    |    |    |     |  |
| KBZ31.5F | 1.5 | 14.3                  | 13.8 | 13.2 | 12.4 | 11.4 | 10.2 | 8.4  | 6.1  | 3.5  |      |      |     |     |    |    |    |     |  |
| KBZ31.5M | 1.5 | 14.3                  | 13.8 | 13.2 | 12.4 | 11.4 | 10.2 | 8.4  | 6.1  | 3.5  |      |      |     |     |    |    |    |     |  |
| KBZ32.2  | 2.2 | 18.7                  | 18.2 | 17.5 | 16.7 | 15.8 | 14.6 | 13   | 11   | 9    | 6.9  | 4.6  |     |     |    |    |    |     |  |
| KBZ32.2F | 2.2 | 18.7                  | 18.2 | 17.5 | 16.7 | 15.8 | 14.6 | 13   | 11   | 9    | 6.9  | 4.6  |     |     |    |    |    |     |  |
| KBZ32.2M | 2.2 | 18.7                  | 18.2 | 17.5 | 16.7 | 15.8 | 14.6 | 13   | 11   | 9    | 6.9  | 4.6  |     |     |    |    |    |     |  |
| KBZ33.7  | 3.7 | 30.1                  | 29.3 | 28.2 | 27.1 | 25.6 | 24.1 | 22.3 | 20   | 17.4 | 14.7 | 11.9 | 8.8 | 5.7 |    |    |    |     |  |
| KBZ33.7F | 3.7 | 30.1                  | 29.3 | 28.2 | 27.1 | 25.6 | 24.1 | 22.3 | 20   | 17.4 | 14.7 | 11.9 | 8.8 | 5.7 |    |    |    |     |  |
| KBZ33.7M | 3.7 | 30.1                  | 29.3 | 28.2 | 27.1 | 25.6 | 24.1 | 22.3 | 20   | 17.4 | 14.7 | 11.9 | 8.8 | 5.7 |    |    |    |     |  |
| KBZ35.5  | 5.5 | 32.1                  | 29.4 | 27.5 | 26.3 | 25.3 | 24.1 | 22.6 | 20.8 | 18.6 | 16.2 | 14.3 | 8.8 |     |    |    |    |     |  |
| KBZ35.5F | 5.5 | 32.1                  | 29.4 | 27.5 | 26.3 | 25.3 | 24.1 | 22.6 | 20.8 | 18.6 | 16.2 | 14.3 | 8.8 |     |    |    |    |     |  |
| KBZ35.5M | 5.5 | 32.1                  | 29.4 | 27.5 | 26.3 | 25.3 | 24.1 | 22.6 | 20.8 | 18.6 | 16.2 | 14.3 | 8.8 |     |    |    |    |     |  |
| KBZ43.7  | 3.7 | 19.4                  | 18.9 | 18.1 | 17.2 | 16.1 | 15.1 | 14.6 | 13.1 | 11.6 | 10.2 | 7.5  | 4.7 |     |    |    |    |     |  |
| KBZ43.7F | 3.7 | 19.4                  | 18.9 | 18.1 | 17.2 | 16.1 | 15.1 | 14.6 | 13.1 | 11.6 | 10.2 | 7.5  | 4.7 |     |    |    |    |     |  |
| KBZ43.7M | 3.7 | 19.4                  | 18.9 | 18.1 | 17.2 | 16.1 | 15.1 | 14.6 | 13.1 | 11.6 | 10.2 | 7.5  | 4.7 |     |    |    |    |     |  |
| KBZ45.5  | 5.5 | 23.3                  | 22.5 | 21.7 | 20.7 | 19.6 | 18.3 | 16.8 | 14.6 | 12.2 | 9.4  | 6.4  |     |     |    |    |    |     |  |
| KBZ45.5F | 5.5 | 23.3                  | 22.5 | 21.7 | 20.7 | 19.6 | 18.3 | 16.8 | 14.6 | 12.2 | 9.4  | 6.4  |     |     |    |    |    |     |  |
| KBZ45.5M | 5.5 | 23.3                  | 22.5 | 21.7 | 20.7 | 19.6 | 18.3 | 16.8 | 14.6 | 12.2 | 9.4  | 6.4  |     |     |    |    |    |     |  |

## Dimensions



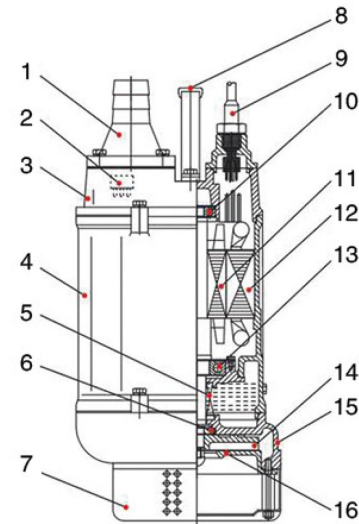
| MODEL    | Ø   | A   | A1  | B   | D   | H   | W1  |
|----------|-----|-----|-----|-----|-----|-----|-----|
| KBZ21.5  | 50  | 235 | 173 | 517 | 216 | 486 | 120 |
| KBZ21.5F | 50  | 235 | 173 | 517 | 216 | 486 | 120 |
| KBZ21.5M | 50  | 235 | 173 | 517 | 216 | 486 | 120 |
| KBZ22.2  | 50  | 235 | 173 | 517 | 216 | 486 | 120 |
| KBZ22.2F | 50  | 235 | 173 | 517 | 216 | 486 | 120 |
| KBZ22.2M | 50  | 235 | 173 | 517 | 216 | 486 | 120 |
| KBZ23.7  | 50  | 283 | 208 | 628 | 252 | 638 | 150 |
| KBZ23.7F | 50  | 283 | 208 | 628 | 252 | 638 | 150 |
| KBZ23.7M | 50  | 283 | 208 | 628 | 252 | 638 | 150 |
| KBZ31.5  | 80  | 235 | 173 | 517 | 216 | 486 | 120 |
| KBZ31.5F | 80  | 235 | 173 | 517 | 216 | 486 | 120 |
| KBZ31.5M | 80  | 235 | 173 | 517 | 216 | 486 | 120 |
| KBZ32.2  | 80  | 235 | 173 | 517 | 216 | 486 | 120 |
| KBZ32.2F | 80  | 235 | 173 | 517 | 216 | 486 | 120 |
| KBZ32.2M | 80  | 235 | 173 | 517 | 216 | 486 | 120 |
| KBZ33.7  | 80  | 283 | 208 | 628 | 252 | 638 | 150 |
| KBZ33.7F | 80  | 283 | 208 | 628 | 252 | 638 | 150 |
| KBZ33.7M | 80  | 283 | 208 | 628 | 252 | 638 | 150 |
| KBZ35.5  | 80  | 306 | 218 | 671 | 259 | 598 | 150 |
| KBZ35.5F | 80  | 306 | 218 | 671 | 259 | 598 | 150 |
| KBZ35.5M | 80  | 306 | 218 | 671 | 259 | 598 | 150 |
| KBZ43.7  | 100 | 283 | 208 | 642 | 252 | 638 | 150 |
| KBZ43.7F | 100 | 283 | 208 | 642 | 252 | 638 | 150 |
| KBZ43.7M | 100 | 283 | 208 | 642 | 252 | 638 | 150 |
| KBZ45.5  | 100 | 306 | 218 | 686 | 259 | 598 | 150 |
| KBZ45.5F | 100 | 306 | 218 | 686 | 259 | 598 | 150 |
| KBZ45.5M | 100 | 306 | 218 | 686 | 259 | 598 | 150 |

## Hydraulic performance



## Exploded view

| No. | Type                  | Materials                                     |
|-----|-----------------------|---|
| 1   | Barbed outlet fitting | cast iron HT200                               |
| 2   | Thermal protection    |   |
| 3   | Top cover             | cast iron HT200                               |
| 4   | Jacket                | cast iron HT200                               |
| 5   | Seal                  |   |
| 6   | Mechanical seal       | sil carb / sil carb, carbon / sil carb (<3kW) |
| 7   | Strainer              | steel   |
| 8   | Handle                | steel   |
| 9   | Power cable           |   |
| 10  | Bearing               |   |
| 11  | Rotor                 |   |
| 12  | Stator                |   |
| 13  | Bearing               |   |
| 14  | Impeller              | chrome alloy                                  |
| 15  | Pump body             | cast iron HT200                               |
| 16  | Inlet fitting         | ductile cast iron                             |



## Packaging

| MODEL    | Weight (kg) | Length L (mm) | Width W (mm) | Height H (mm) |
|----------|-------------|---------------|--------------|---------------|
| KBZ21.5  | 37.5        | 585           | 270          | 270           |
| KBZ21.5F | 0           | 0             | 0            | 0             |
| KBZ21.5M | 0           | 0             | 0            | 0             |
| KBZ22.2  | 39          | 585           | 270          | 270           |
| KBZ22.2F | 0           | 0             | 0            | 0             |
| KBZ22.2M | 0           | 0             | 0            | 0             |
| KBZ23.7  | 65          | 685           | 325          | 300           |
| KBZ23.7F | 0           | 0             | 0            | 0             |
| KBZ23.7M | 0           | 0             | 0            | 0             |
| KBZ31.5  | 37          | 585           | 270          | 270           |
| KBZ31.5F | 0           | 0             | 0            | 0             |
| KBZ31.5M | 0           | 0             | 0            | 0             |
| KBZ32.2  | 39          | 585           | 270          | 270           |
| KBZ32.2F | 0           | 0             | 0            | 0             |
| KBZ32.2M | 0           | 0             | 0            | 0             |
| KBZ33.7  | 65          | 685           | 325          | 300           |
| KBZ33.7F | 0           | 0             | 0            | 0             |
| KBZ33.7M | 0           | 0             | 0            | 0             |
| KBZ35.5  | 84          | 725           | 355          | 370           |
| KBZ35.5F | 0           | 0             | 0            | 0             |
| KBZ35.5M | 0           | 0             | 0            | 0             |
| KBZ43.7  | 66          | 685           | 325          | 300           |
| KBZ43.7F | 0           | 0             | 0            | 0             |
| KBZ43.7M | 0           | 0             | 0            | 0             |
| KBZ45.5  | 85          | 725           | 355          | 370           |
| KBZ45.5F | 0           | 0             | 0            | 0             |
| KBZ45.5M | 0           | 0             | 0            | 0             |

