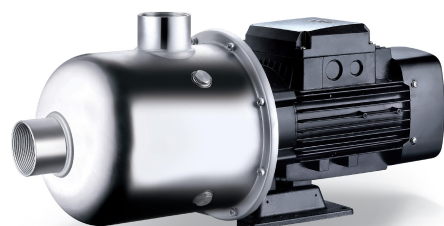


# EDH2 Horizontal multistage pump made entirely of stainless steel



### Application

- Water supply for tall buildings, pumping stations, overpressure
- Washing stations, heating water circulation, air conditioning water circulation, water treatment systems
- Ultrafiltration, reverse osmosis, distillation systems, municipal swimming pools
- Irrigation: sprinkling, drip
- Industry
- Fire fighting systems

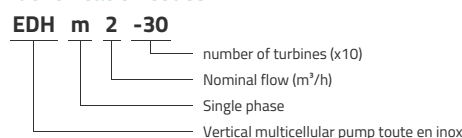
### Pompe

- Stainless steel shaft
- Max liquid temperature: +85°C
- Max suction height: 8 m
- Maximum operating pressure: 10 bars
- pH between 4 and 10

### Moteur

- IE3 motor
- Protection class: IP55
- Insulation class: F
- Maximum ambient temperature: +40°
- Integrated thermal protection for single-phase versions
- Altitude: up to 1000 m

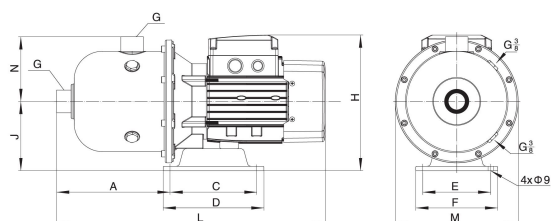
### Identification codes



## Technical data

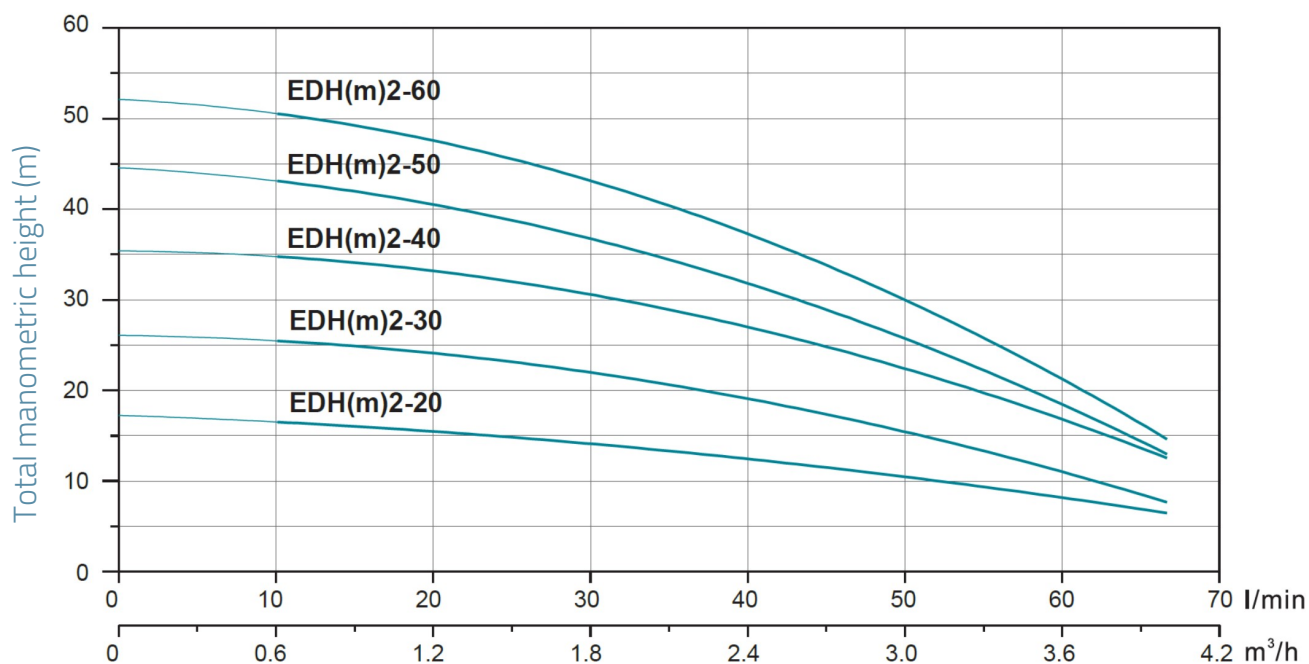
| MODEL    | kW   | Q (m³/h)  | 0.5  | 1    | 1.5  | 2  | 2.5  | 3    | 3.5  | 4  |
|----------|------|-----------|------|------|------|----|------|------|------|----|
|          |      | Q (l/min) | 8    | 17   | 25   | 33 | 42   | 50   | 58   | 67 |
| EDHm2-20 | 0.37 | 16.7      | 16.2 | 15   | 14   | 11 | 10.6 | 8.8  | 6.5  |    |
| EDH2-20  | 0.37 | 16.7      | 16.2 | 15   | 14   | 11 | 10.6 | 8.8  | 6.5  |    |
| EDHm2-30 | 0.37 | 25.8      | 24.3 | 23.8 | 21.3 | 17 | 16.1 | 12.5 | 7.2  |    |
| EDH2-30  | 0.37 | 25.8      | 24.3 | 23.8 | 21.3 | 17 | 16.1 | 12.5 | 7.2  |    |
| EDHm2-40 | 0.55 | 34.8      | 34.1 | 33.2 | 30.7 | 23 | 22.9 | 18.4 | 12.6 |    |
| EDH2-40  | 0.55 | 34.8      | 34.1 | 33.2 | 30.7 | 23 | 22.9 | 18.4 | 12.6 |    |
| EDHm2-50 | 0.55 | 43.5      | 42.1 | 39.5 | 35.9 | 29 | 25.7 | 19.6 | 13.5 |    |
| EDH2-50  | 0.55 | 43.5      | 42.1 | 39.5 | 35.9 | 29 | 25.7 | 19.6 | 13.5 |    |
| EDHm2-60 | 0.75 | 50.8      | 49.2 | 45.6 | 41.5 | 35 | 30.4 | 23.4 | 14.3 |    |
| EDH2-60  | 0.75 | 50.8      | 49.2 | 45.6 | 41.5 | 35 | 30.4 | 23.4 | 14.3 |    |

## Dimensions



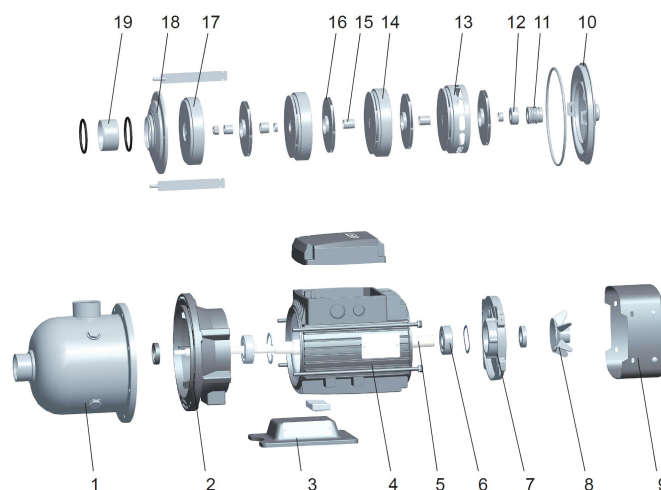
| MODEL    | L   | A   | C   | D   | E   | F   | G | H   | J   | M   | N   |
|----------|-----|-----|-----|-----|-----|-----|---|-----|-----|-----|-----|
| EDHm2-20 | 427 | 180 | 138 | 160 | 108 | 130 | 1 | 216 | 110 | 195 | 103 |
| EDH2-20  | 427 | 180 | 138 | 160 | 108 | 130 | 1 | 216 | 110 | 195 | 103 |
| EDHm2-30 | 427 | 180 | 138 | 160 | 108 | 130 | 1 | 216 | 110 | 195 | 103 |
| EDH2-30  | 427 | 180 | 138 | 160 | 108 | 130 | 1 | 216 | 110 | 195 | 103 |
| EDHm2-40 | 427 | 180 | 138 | 160 | 108 | 130 | 1 | 216 | 110 | 195 | 103 |
| EDH2-40  | 427 | 180 | 138 | 160 | 108 | 130 | 1 | 216 | 110 | 195 | 103 |
| EDHm2-50 | 427 | 180 | 138 | 160 | 108 | 130 | 1 | 216 | 110 | 195 | 103 |
| EDH2-50  | 427 | 180 | 138 | 160 | 108 | 130 | 1 | 216 | 110 | 195 | 103 |
| EDHm2-60 | 427 | 180 | 138 | 160 | 108 | 130 | 1 | 216 | 110 | 195 | 103 |
| EDH2-60  | 427 | 180 | 138 | 160 | 108 | 130 | 1 | 216 | 110 | 195 | 103 |

## Hydraulic performance



## Exploded view

| No. | Type            | Materials                  |
|-----|-----------------|----------------------------|
| 1   | Pump body       | AISI 304 stainless steel   |
| 2   | Lantern         | cast aluminum ZL102        |
| 3   | Motor support   | cast iron HT200            |
| 4   | Stator          |                            |
| 5   | Rotor           |                            |
| 6   | Bearing         |                            |
| 7   | Rear cover      | cast aluminum ZL102        |
| 8   | Fan             | polypropylene              |
| 9   | Fan cover       | 08F steel                  |
| 10  | Pump bottom     | AISI 304 stainless steel   |
| 11  | Mechanical seal | silicon carbide / graphite |
| 12  | Shim            | AISI 304 stainless steel   |
| 13  | Diffuser        | AISI 304 stainless steel   |
| 14  | Diffuser        | AISI 304 stainless steel   |
| 15  | Bearing         | AISI 304 stainless steel   |
| 16  | Impeller        | AISI 304 stainless steel   |
| 17  | Diffuser        | AISI 304 stainless steel   |
| 18  | Front plate     | AISI 304 stainless steel   |
| 19  | Spacer sleeve   | AISI 304 stainless steel   |



## Packaging

| MODEL    | Weight (kg) | Length L (mm) | Width W (mm) | Height H (mm) |
|----------|-------------|---------------|--------------|---------------|
| EDHm2-20 | 10.7        | 465           | 225          | 270           |
| EDH2-20  | 10.7        | 465           | 225          | 270           |
| EDHm2-30 | 11.1        | 465           | 225          | 270           |
| EDH2-30  | 11.1        | 465           | 225          | 270           |
| EDHm2-40 | 12.4        | 465           | 225          | 270           |
| EDH2-40  | 12.4        | 465           | 225          | 270           |
| EDHm2-50 | 12.8        | 465           | 225          | 270           |
| EDH2-50  | 12.8        | 465           | 225          | 270           |
| EDHm2-60 | 13.8        | 465           | 225          | 270           |
| EDH2-60  | 13.8        | 465           | 225          | 270           |

