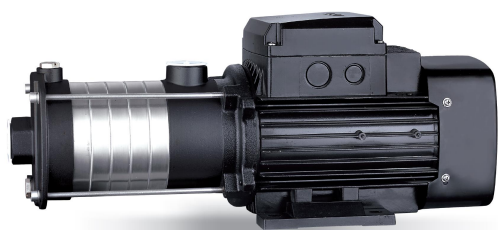


ECH15 Horizontal multistage stainless steel pump



ECH

Application

- Water supply for tall buildings, pumping stations, overpressure
- Washing stations, heating water circulation, air conditioning water circulation, water treatment systems
- Ultrafiltration, reverse osmosis, distillation systems, municipal swimming pools
- Irrigation: sprinkling, drip
- Industry
- Fire fighting systems

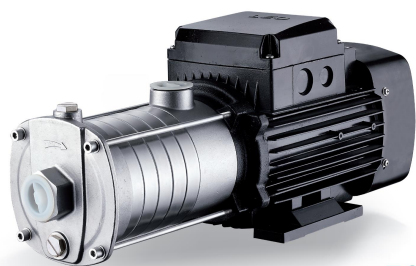
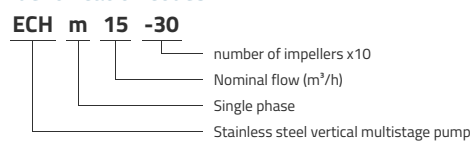
Pompe

- Stainless steel shaft
- Max liquid temperature: +85 °C
- Max suction height: 8 m
- Maximum operating pressure: 5 bars
- pH between 4 and 10

Moteur

- IE3 motor
- Protection class: IP55
- Insulation class: F
- Maximum ambient temperature: +40°
- Integrated thermal protection for single-phase versions
- Altitude: up to 1000 m

Identification codes

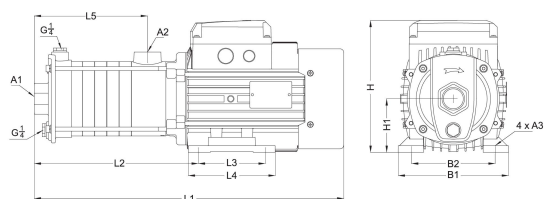


ECHS

Technical data

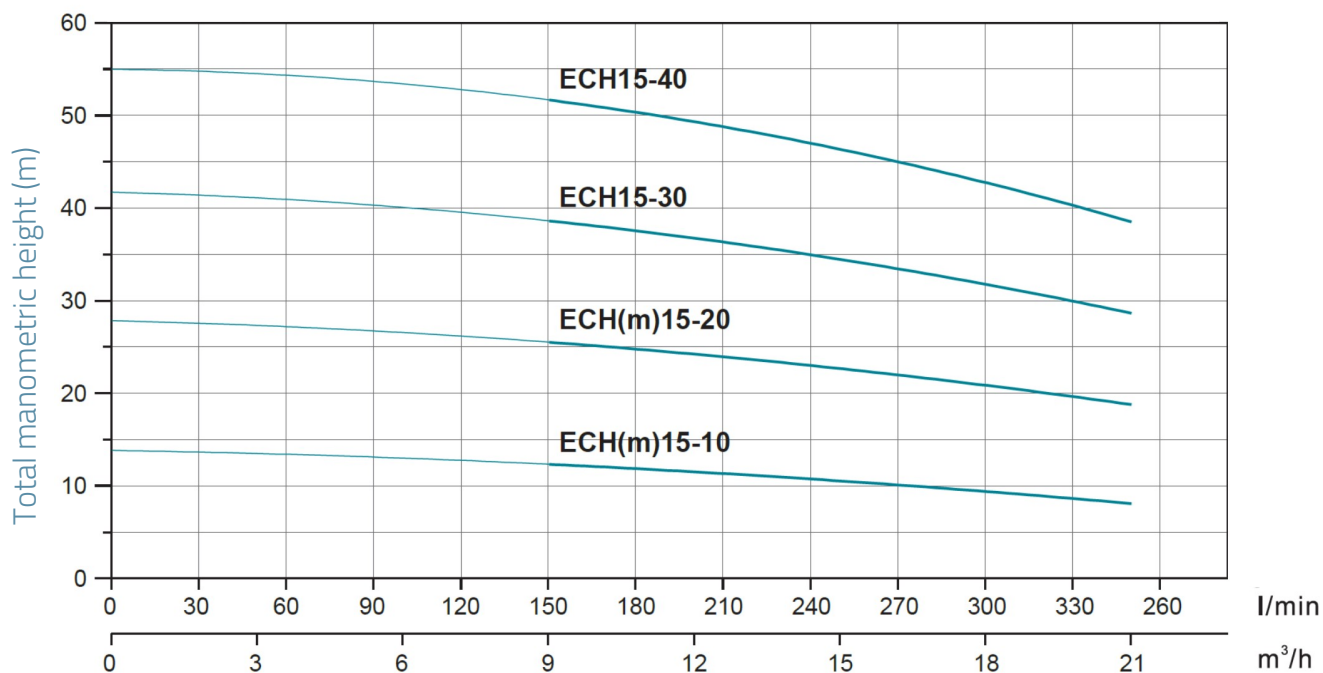
MODEL	kW	Q (m ³ /h)	9	12	15	18	21
		Q (l/min)	150	200	250	300	350
ECHm15-10	1.1	12.4	11.6	10.6	9.4	8.2	
ECH15-10	1.1	12.4	11.6	10.6	9.4	8.2	
ECHm15-20	2.2	25.6	24.1	22.7	21.1	18.8	
ECH15-20	2.2	25.6	24.1	22.7	21.1	18.8	
ECH15-30	3	38.7	36.9	34.9	31.9	28.5	
ECH15-40	4	51.8	49.7	46.8	42.9	38.3	

Dimensions



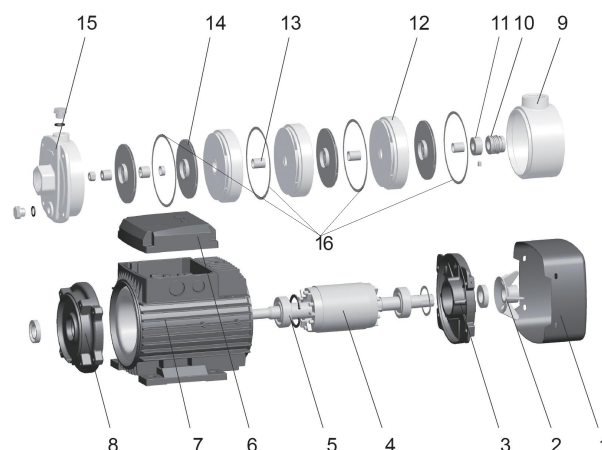
MODEL	L1	L2	L3	L4	L5	B1	B2	H	H1	A1	A2	A3
ECHm15-10	451	233.5	100	130	139.5	165	125	204.5	80	2	2	10
ECH15-10	451	233.5	100	130	139.5	165	125	204.5	80	2	2	10
ECHm15-20	510	222	125	150	139.5	180	140	217.5	90	2	2	10
ECH15-20	510	222	125	150	139.5	180	140	217.5	90	2	2	10
ECH15-30	560	272	125	150	189.5	180	140	247.5	90	2	2	10
ECH15-40	616	336.5	140	180	230	205	160	224.5	100	2	2	12

Hydraulic performance



Exploded view

No.	Type
1	Fan cover
2	Fan
3	Rear cover
4	Rotor
5	Bearing
6	Electric box cover
7	Stator
8	Lantern
9	Outlet diffuser
10	Mechanical seal
11	Shim
12	Diffuser
13	Bearing
14	Impeller
15	Front cover



Packaging

MODEL	Weight (kg)	Length L (mm)	Width W (mm)	Height H (mm)
ECHm15-10	22.7	503	235	268
ECH15-10	22.7	503	235	268
ECHm15-20	30.3	557	245	283
ECH15-20	30.3	557	245	283
ECH15-30	32.2	618	245	283
ECH15-40	39.6	687	245	290

