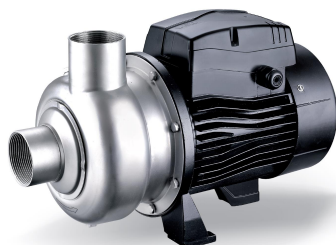
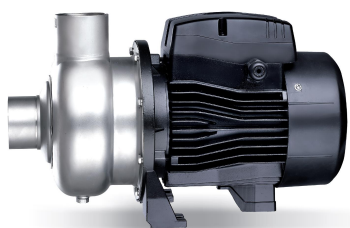


ABK Semi-open impeller stainless steel centrifugal pump



Model	POWER kW	Volt/Hz	Rated speed (rpm)
ABK50	0.37	230/50	2850
ABK50D	0.37	230/50	2850
ABK100	0.75	230/50	2850
ABK100D	0.75	230/50	2850
ABK120	0.9	230/50	2850
ABK120D	0.9	230/50	2850
ABK150	1.1	230/50	2850
ABK150D	1.1	230/50	2850
ABK200	1.5	230/50	2850
ABK200D	1.5	230/50	2850
ABK300	2.2	230/50	2850
ABK300D	2.2	230/50	2850
ABK400	3	230/50	2850

Application

- Usable for the transfer of slightly corrosive liquids, for sanitary needs, and containing impurities
- Suitable for domestic or industrial gray water, industry, agriculture, pumping water in rivers or lakes, ...

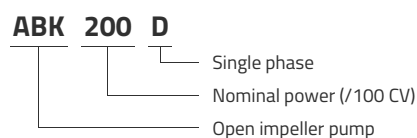
Pompe

- Pump body and shaft in AISI 304 stainless steel shaft
- Liquid temperature: from -15°C to +80°C
- pH between 5 and 9
- Maximum passage diameter: ABK50: 9 mm; ABK100, ABK120 & ABK150: 12 mm; ABK200 & ABK300: 16 mm; ABK400: 19 mm

Moteur

- Integrated thermal protection for single-phase motors
- Insulation class: F
- Protection class: IPX4
- Maximum ambient temperature: +40°C

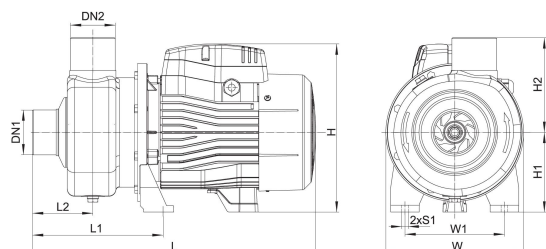
Identification codes



Technical data

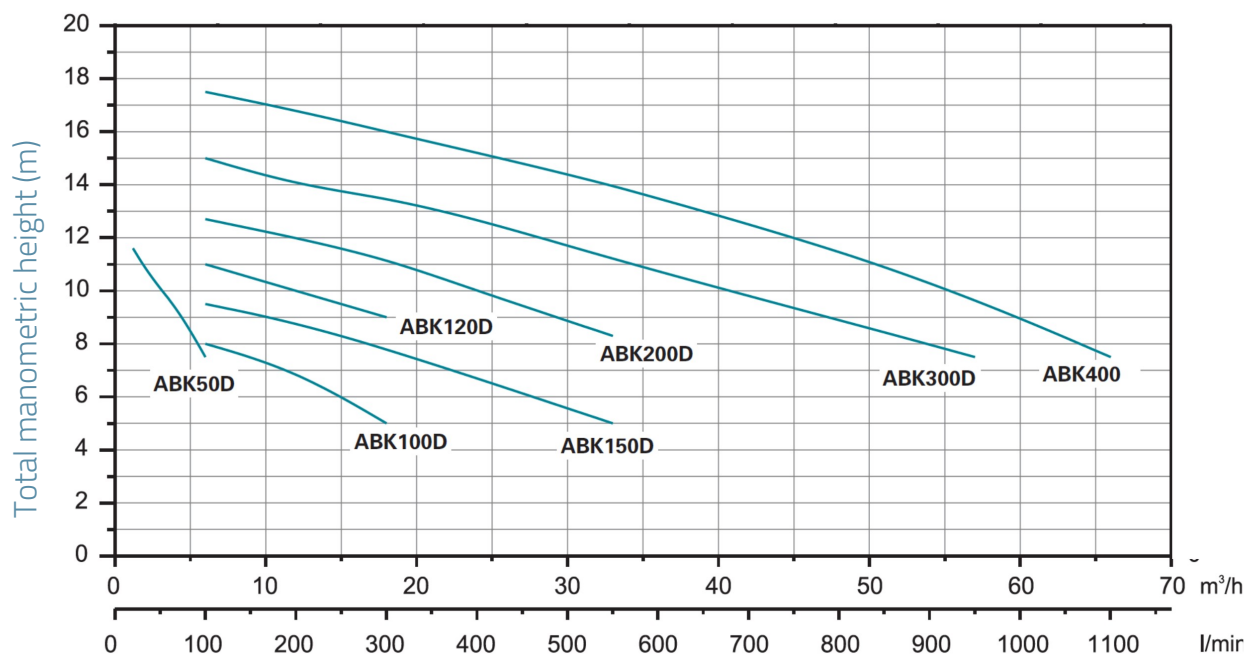
MODEL	kW	Q (m³/h) Q (l/min)	1.2	2.4	3.6	4.8	6	12	18	24	33	42	48	57	66
			20	40	60	80	100	200	300	400	550	700	800	950	1100
ABK50	0.37		11.6	10.5	9.7	8.7	7.5								
ABK50D	0.37		11.6	10.5	9.7	8.7	7.5								
ABK100	0.75						8	7	5						
ABK100D	0.75						8	7	5						
ABK120	0.9						11	10	9						
ABK120D	0.9						11	10	9						
ABK150	1.1						9.5	8.8	7.8	6.7	5				
ABK150D	1.1						9.5	8.8	7.8	6.7	5				
ABK200	1.5						12.7	12	11.2	10	8.3	6.5			
ABK200D	1.5						12.7	12	11.2	10	8.3	6.5			
ABK300	2.2						15	14	13.5	12.7	11.2	9.8	8.9	7.5	
ABK300D	2.2						15	14	13.5	12.7	11.2	9.8	8.9	7.5	
ABK400	3						17.5	16.8	16	15.2	14	12.5	11.5	9.7	7.5

Dimensions



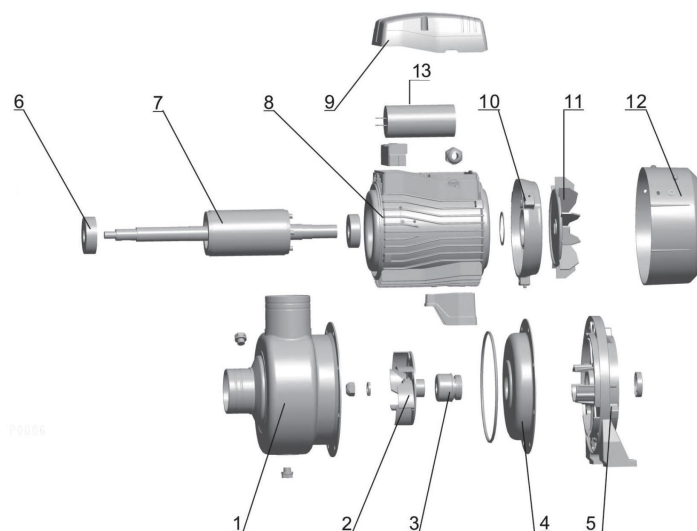
MODEL	DN1	DN2	L	L1	L2	H	H1	H2	W	W1	S1
ABK50	1½	1	280	123	50	180	90	106	170	105	9
ABK50D	1½	1	280	123	50	180	90	106	170	105	9
ABK100	1½	1½	332	160	76	212	100	118	170	120	9
ABK100D	1½	1½	332	160	76	212	100	118	170	120	9
ABK120	1½	1½	332	160	76	212	100	118	170	120	9
ABK120D	1½	1½	332	160	76	212	100	118	170	120	9
ABK150	2	2	400	184	85	235	112	133	195	140	9
ABK150D	2	2	400	184	85	235	112	133	195	140	9
ABK200	2	2	400	184	85	235	112	133	195	140	9
ABK200D	2	2	400	184	85	235	112	133	195	140	9
ABK300	2½	2	450	184	85	252	117	133	195	140	9
ABK300D	2½	2	450	184	85	252	117	133	195	140	9
ABK400	2½	2	450	184	85	252	117	133	195	140	9

Hydraulic performance



Exploded view

No.	Type	Materials
1	Pump body	AISI 304 stainless steel
2	Impeller	AISI 304 stainless steel
3	Mechanical seal	silicon carbide / graphite
4	Pump bottom	AISI 304 stainless steel
5	Lantern	cast aluminum ZL102
6	Bearing	
7	Rotor	
8	Stator	
9	Electric box cover	polycarbonate/ABS
10	Rear cover	cast aluminum ZL102
11	Fan	polypropylene-fiberglass PP-GF30
12	Fan cover	08F steel
13	Capacitor	
14	Bearing	



Packaging

MODEL	Weight (kg)	Length L (mm)	Width W (mm)	Height H (mm)
ABK50	6.5	310	190	215
ABK50D	6.5	310	190	215
ABK100	9.6	360	200	235
ABK100D	9.6	360	200	235
ABK120	10.7	360	200	235
ABK120D	10.7	360	200	235
ABK150	14	420	235	265
ABK150D	14	420	235	265
ABK200	15.7	420	235	265
ABK200D	15.7	420	235	265
ABK300	20.7	475	230	275
ABK300D	20.7	475	230	275
ABK400	21.8	475	230	275

