

KBZ(1.5-5.5kW) Pompa da costruzione



Application

- Ingegneria civile
- Miniere, cave, fanghi
- Impianto di trattamento delle acque reflue

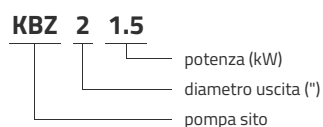
Pompe

- Portata massima : 156 m³ / h
- Max HMT: 57 m
- Immersione massima: 25 m
- Temperatura massima del liquido: + 40 ° C
- Diametro massimo passaggio particelle: 8,5 mm
- Tenuta meccanica della parte superiore in carburo di silicio / carburo di silicio a da 3,7 kW Uscita spinato
- standard
- Tipo di collegamento uscita filettata o filettata
- Lunghezza cavo: 20 m

Moteur

- Classe di isolamento: B
- Classe di protezione: IP68

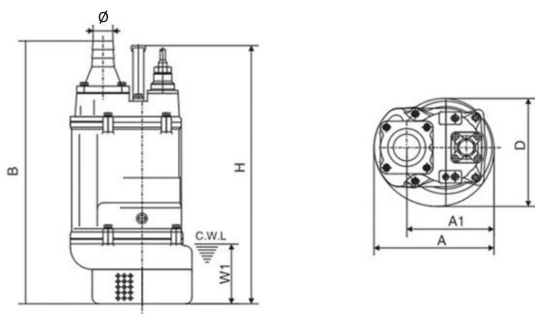
Codici identificativi



Dati tecnici

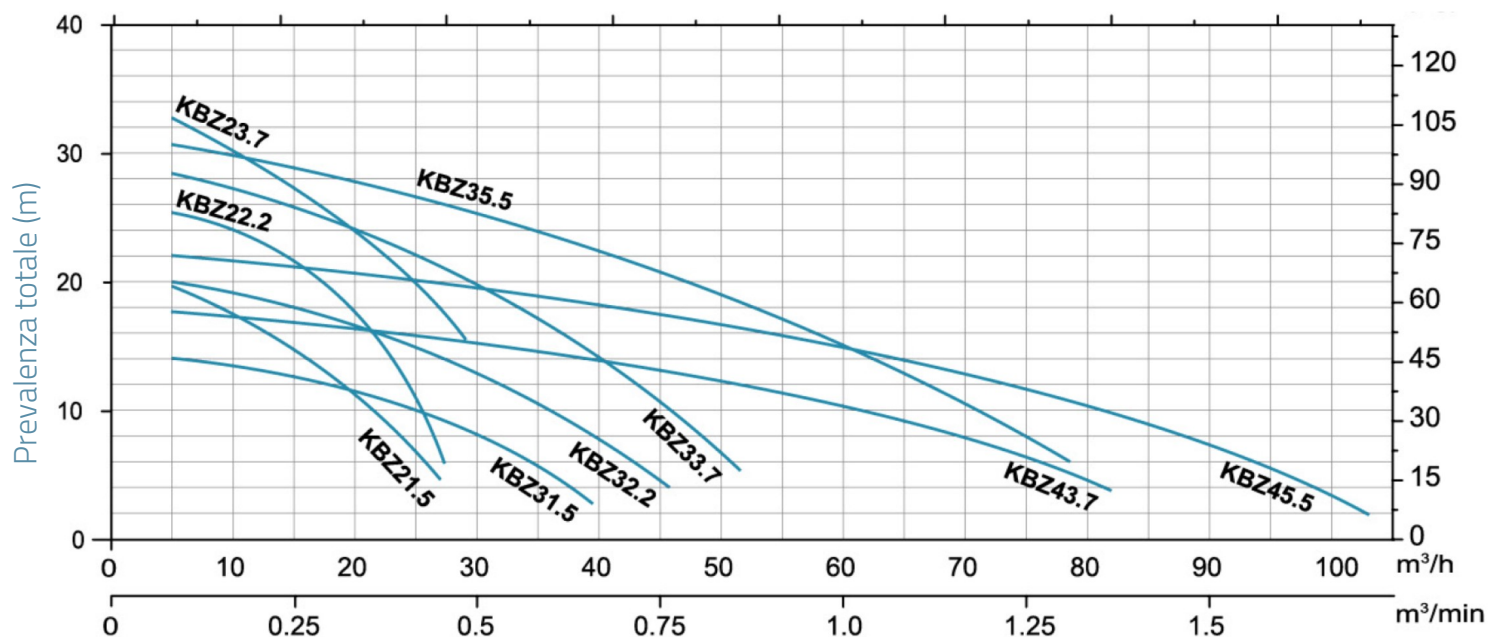
MODEL	kW	Q (m ³ /h)																	
		0	5	10	15	20	25	30	35	40	45	50	55	60	70	80	90	100	
KBZ21.5	1.5	23.1	20.9	19.4	17.4	14.4	11	7.2											
KBZ21.5F	1.5	23.1	20.9	19.4	17.4	14.4	11	7.2											
KBZ21.5M	1.5	23.1	20.9	19.4	17.4	14.4	11	7.2											
KBZ22.2	2.2	27.8	27.5	26.6	24.7	21.5	16.7	10.9											
KBZ22.2F	2.2	27.8	27.5	26.6	24.7	21.5	16.7	10.9											
KBZ22.2M	2.2	27.8	27.5	26.6	24.7	21.5	16.7	10.9											
KBZ23.7	3.7	34	33	31.1	28.3	23.5	17.9	12											
KBZ23.7F	3.7	34	33	31.1	28.3	23.5	17.9	12											
KBZ23.7M	3.7	34	33	31.1	28.3	23.5	17.9	12											
KBZ31.5	1.5	14.3	13.8	13.2	12.4	11.4	10.2	8.4	6.1	3.5									
KBZ31.5F	1.5	14.3	13.8	13.2	12.4	11.4	10.2	8.4	6.1	3.5									
KBZ31.5M	1.5	14.3	13.8	13.2	12.4	11.4	10.2	8.4	6.1	3.5									
KBZ32.2	2.2	18.7	18.2	17.5	16.7	15.8	14.6	13	11	9	6.9	4.6							
KBZ32.2F	2.2	18.7	18.2	17.5	16.7	15.8	14.6	13	11	9	6.9	4.6							
KBZ32.2M	2.2	18.7	18.2	17.5	16.7	15.8	14.6	13	11	9	6.9	4.6							
KBZ33.7	3.7	30.1	29.3	28.2	27.1	25.6	24.1	22.3	20	17.4	14.7	11.9	8.8	5.7					
KBZ33.7F	3.7	30.1	29.3	28.2	27.1	25.6	24.1	22.3	20	17.4	14.7	11.9	8.8	5.7					
KBZ33.7M	3.7	30.1	29.3	28.2	27.1	25.6	24.1	22.3	20	17.4	14.7	11.9	8.8	5.7					
KBZ35.5	5.5	32.1		29.4		27.5	26.3	25.3	24.1	22.6	20.8	18.6	16.2	14.3	8.8				
KBZ35.5F	5.5	32.1		29.4		27.5	26.3	25.3	24.1	22.6	20.8	18.6	16.2	14.3	8.8				
KBZ35.5M	5.5	32.1		29.4		27.5	26.3	25.3	24.1	22.6	20.8	18.6	16.2	14.3	8.8				
KBZ43.7	3.7	19.4		18.9		18.1		17.2		16.1		14.6		12.6	10.2	7.5	4.7		
KBZ43.7F	3.7	19.4		18.9		18.1		17.2		16.1		14.6		12.6	10.2	7.5	4.7		
KBZ43.7M	3.7	19.4		18.9		18.1		17.2		16.1		14.6		12.6	10.2	7.5	4.7		
KBZ45.5	5.5	23.3		22.5		21.7		20.7		19.6		18.3		16.8	14.6	12.2	9.4	6.4	
KBZ45.5F	5.5	23.3		22.5		21.7		20.7		19.6		18.3		16.8	14.6	12.2	9.4	6.4	
KBZ45.5M	5.5	23.3		22.5		21.7		20.7		19.6		18.3		16.8	14.6	12.2	9.4	6.4	

Dimensioni



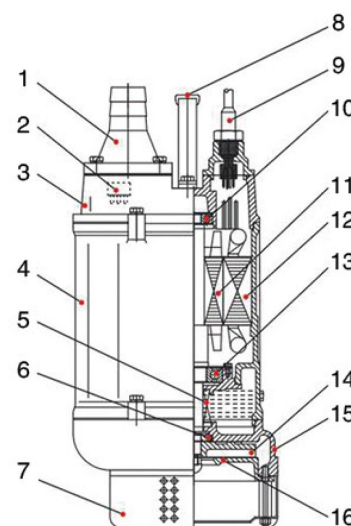
MODEL	Ø	A	A1	B	D	H	W1
KBZ21.5	50	235	173	517	216	486	120
KBZ21.5F	50	235	173	517	216	486	120
KBZ21.5M	50	235	173	517	216	486	120
KBZ22.2	50	235	173	517	216	486	120
KBZ22.2F	50	235	173	517	216	486	120
KBZ22.2M	50	235	173	517	216	486	120
KBZ23.7	50	283	208	628	252	638	150
KBZ23.7F	50	283	208	628	252	638	150
KBZ23.7M	50	283	208	628	252	638	150
KBZ31.5	80	235	173	517	216	486	120
KBZ31.5F	80	235	173	517	216	486	120
KBZ31.5M	80	235	173	517	216	486	120
KBZ32.2	80	235	173	517	216	486	120
KBZ32.2F	80	235	173	517	216	486	120
KBZ32.2M	80	235	173	517	216	486	120
KBZ33.7	80	283	208	628	252	638	150
KBZ33.7F	80	283	208	628	252	638	150
KBZ33.7M	80	283	208	628	252	638	150
KBZ35.5	80	306	218	671	259	598	150
KBZ35.5F	80	306	218	671	259	598	150
KBZ35.5M	80	306	218	671	259	598	150
KBZ43.7	100	283	208	642	252	638	150
KBZ43.7F	100	283	208	642	252	638	150
KBZ43.7M	100	283	208	642	252	638	150
KBZ45.5	100	306	218	686	259	598	150
KBZ45.5F	100	306	218	686	259	598	150
KBZ45.5M	100	306	218	686	259	598	150

Prestazioni idrauliche



Vista esplosa

No.	Type	materiale
1	raccordo di uscita spinato	ghisa HT200
2	protezione termica	
3	coperchio superiore	ghisa HT200
4	camicia	ghisa HT200
5	guarnizione	
6	tenuta meccanica	sil carb / sil carb, carbonio / sil carb (<3kW)
7	filtro	acciaio
8	maniglia	acciaio
9	cavo di alimentazione	
10	rotolamento	
11	rotore	
12	statore	
13	rotolamento	
14	turbina	lega di cromo
15	corpo pompa	ghisa HT200
16	raccordo di ingresso	ferro duttile



Packaging

MODEL	Peso (kg)	Lunghezza L (mm)	Larghezza W (mm)	Altezza H (mm)
KBZ21.5	37,5	585	270	270
KBZ21.5F	0	0	0	0
KBZ21.5M	0	0	0	0
KBZ22.2	39	585	270	270
KBZ22.2F	0	0	0	0
KBZ22.2M	0	0	0	0
KBZ23.7	65	685	325	300
KBZ23.7F	0	0	0	0
KBZ23.7M	0	0	0	0
KBZ31.5	37	585	270	270
KBZ31.5F	0	0	0	0
KBZ31.5M	0	0	0	0
KBZ32.2	39	585	270	270
KBZ32.2F	0	0	0	0
KBZ32.2M	0	0	0	0
KBZ33.7	65	685	325	300
KBZ33.7F	0	0	0	0
KBZ33.7M	0	0	0	0
KBZ35.5	84	725	355	370
KBZ35.5F	0	0	0	0
KBZ35.5M	0	0	0	0
KBZ43.7	66	685	325	300
KBZ43.7F	0	0	0	0
KBZ43.7M	0	0	0	0
KBZ45.5	85	725	355	370
KBZ45.5F	0	0	0	0
KBZ45.5M	0	0	0	0

