

KBZ(1.5-5.5kW) Bomba de construcción



Application

- Ingeniería civil
- Minas, canteras, lodos
- Planta de tratamiento de aguas residuales

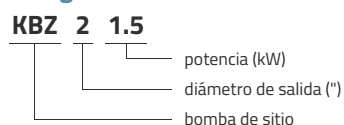
Pompe

- Caudal máx.: 156 m³ / h
- HMT máx.: 57 m
- Inmersión máxima: 25 m
- Temperatura máxima del líquido: + 40 ° C
- Diámetro máximo de paso de partículas: 8,5 mm Cierre
- mecánico de la parte superior en carburo de silicio / carburo de silicio a desde 3,7 kW Salida de
- púas de serie
- Accesorios como salida de conexión roscada o roscada
- Longitud del cable: 20 m

Moteur

- Clase de aislamiento: B
- Clase de protección: IP68

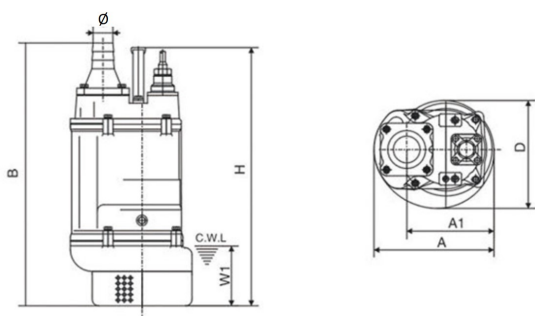
Códigos de identificación



Datos técnicos

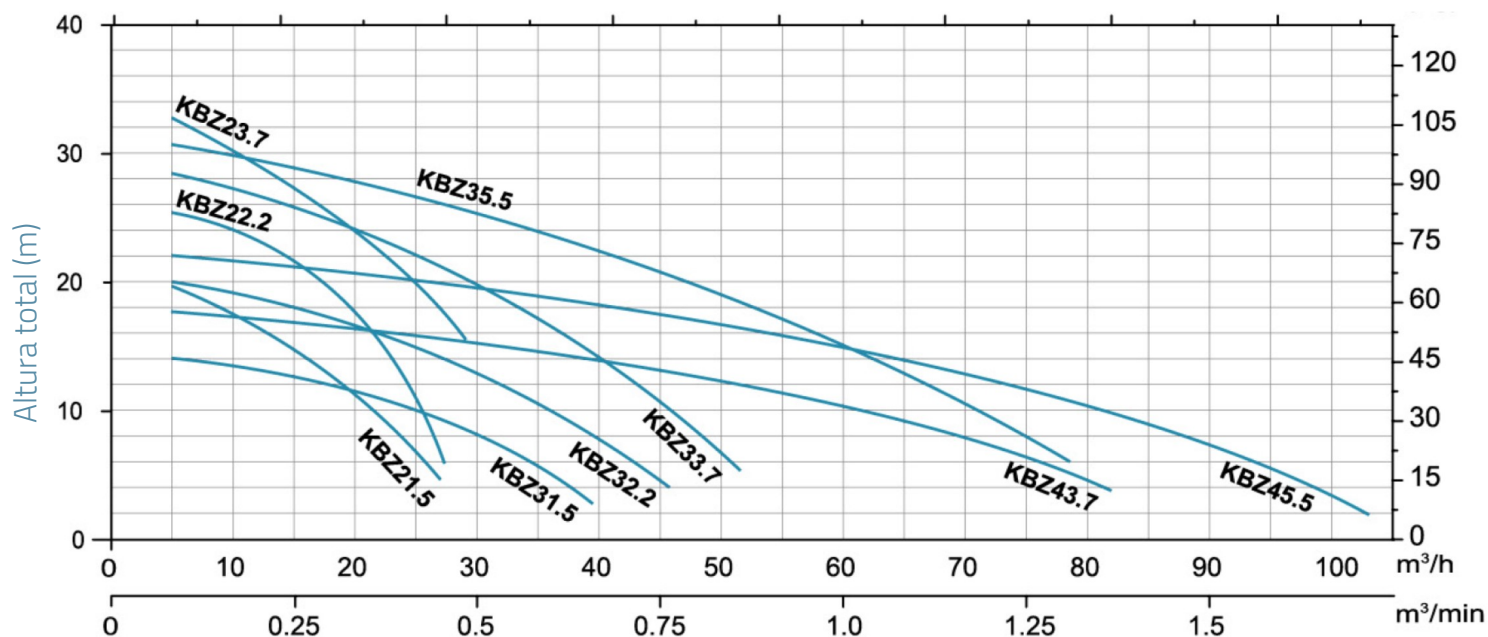
MODEL	kW	Q (m ³ /h)																	
		0	5	10	15	20	25	30	35	40	45	50	55	60	70	80	90	100	
KBZ21.5	1.5	23.1	20.9	19.4	17.4	14.4	11	7.2											
KBZ21.5F	1.5	23.1	20.9	19.4	17.4	14.4	11	7.2											
KBZ21.5M	1.5	23.1	20.9	19.4	17.4	14.4	11	7.2											
KBZ22.2	2.2	27.8	27.5	26.6	24.7	21.5	16.7	10.9											
KBZ22.2F	2.2	27.8	27.5	26.6	24.7	21.5	16.7	10.9											
KBZ22.2M	2.2	27.8	27.5	26.6	24.7	21.5	16.7	10.9											
KBZ23.7	3.7	34	33	31.1	28.3	23.5	17.9	12											
KBZ23.7F	3.7	34	33	31.1	28.3	23.5	17.9	12											
KBZ23.7M	3.7	34	33	31.1	28.3	23.5	17.9	12											
KBZ31.5	1.5	14.3	13.8	13.2	12.4	11.4	10.2	8.4	6.1	3.5									
KBZ31.5F	1.5	14.3	13.8	13.2	12.4	11.4	10.2	8.4	6.1	3.5									
KBZ31.5M	1.5	14.3	13.8	13.2	12.4	11.4	10.2	8.4	6.1	3.5									
KBZ32.2	2.2	18.7	18.2	17.5	16.7	15.8	14.6	13	11	9	6.9	4.6							
KBZ32.2F	2.2	18.7	18.2	17.5	16.7	15.8	14.6	13	11	9	6.9	4.6							
KBZ32.2M	2.2	18.7	18.2	17.5	16.7	15.8	14.6	13	11	9	6.9	4.6							
KBZ33.7	3.7	30.1	29.3	28.2	27.1	25.6	24.1	22.3	20	17.4	14.7	11.9	8.8	5.7					
KBZ33.7F	3.7	30.1	29.3	28.2	27.1	25.6	24.1	22.3	20	17.4	14.7	11.9	8.8	5.7					
KBZ33.7M	3.7	30.1	29.3	28.2	27.1	25.6	24.1	22.3	20	17.4	14.7	11.9	8.8	5.7					
KBZ35.5	5.5	32.1	29.4	27.5	26.3	25.3	24.1	22.6	20.8	18.6	16.2	14.3	8.8						
KBZ35.5F	5.5	32.1	29.4	27.5	26.3	25.3	24.1	22.6	20.8	18.6	16.2	14.3	8.8						
KBZ35.5M	5.5	32.1	29.4	27.5	26.3	25.3	24.1	22.6	20.8	18.6	16.2	14.3	8.8						
KBZ43.7	3.7	19.4	18.9	18.1	17.2	16.1	15.1	14.6	13.1	11.6	10.2	7.5	4.7						
KBZ43.7F	3.7	19.4	18.9	18.1	17.2	16.1	15.1	14.6	13.1	11.6	10.2	7.5	4.7						
KBZ43.7M	3.7	19.4	18.9	18.1	17.2	16.1	15.1	14.6	13.1	11.6	10.2	7.5	4.7						
KBZ45.5	5.5	23.3	22.5	21.7	20.7	19.6	18.3	16.8	14.6	12.2	9.4	6.4							
KBZ45.5F	5.5	23.3	22.5	21.7	20.7	19.6	18.3	16.8	14.6	12.2	9.4	6.4							
KBZ45.5M	5.5	23.3	22.5	21.7	20.7	19.6	18.3	16.8	14.6	12.2	9.4	6.4							

Dimensiones



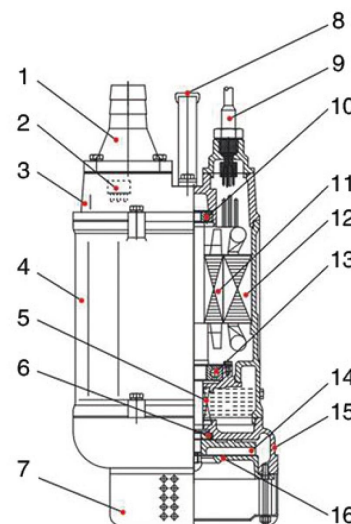
MODEL	Ø	A	A1	B	D	H	W1
KBZ21.5	50	235	173	517	216	486	120
KBZ21.5F	50	235	173	517	216	486	120
KBZ21.5M	50	235	173	517	216	486	120
KBZ22.2	50	235	173	517	216	486	120
KBZ22.2F	50	235	173	517	216	486	120
KBZ22.2M	50	235	173	517	216	486	120
KBZ23.7	50	283	208	628	252	638	150
KBZ23.7F	50	283	208	628	252	638	150
KBZ23.7M	50	283	208	628	252	638	150
KBZ31.5	80	235	173	517	216	486	120
KBZ31.5F	80	235	173	517	216	486	120
KBZ31.5M	80	235	173	517	216	486	120
KBZ32.2	80	235	173	517	216	486	120
KBZ32.2F	80	235	173	517	216	486	120
KBZ32.2M	80	235	173	517	216	486	120
KBZ33.7	80	283	208	628	252	638	150
KBZ33.7F	80	283	208	628	252	638	150
KBZ33.7M	80	283	208	628	252	638	150
KBZ35.5	80	306	218	671	259	598	150
KBZ35.5F	80	306	218	671	259	598	150
KBZ35.5M	80	306	218	671	259	598	150
KBZ43.7	100	283	208	642	252	638	150
KBZ43.7F	100	283	208	642	252	638	150
KBZ43.7M	100	283	208	642	252	638	150
KBZ45.5	100	306	218	686	259	598	150
KBZ45.5F	100	306	218	686	259	598	150
KBZ45.5M	100	306	218	686	259	598	150

Rendimiento hidráulico



Vista en despiece ordenado

No.	Type	Materiales
1	conexión de salida de púas	hierro fundido HT200
2	Protección térmica	
3	la cubierta superior	hierro fundido HT200
4	camisa	hierro fundido HT200
5	sello	
6	sello mecánico	sil carb / sil carb, carbono / sil carb (<3kW)
7	colador	acero
8	encargarse de	acero
9	cable de alimentación	
10	laminación	
11	rotor	
12	estator	
13	laminación	
14	turbina	aleación de cromo
15	cuerpo de la bomba	hierro fundido HT200
16	accesorio de entrada	hierro dúctil



Packaging

MODEL	Peso (kg)	Longitud L (mm)	Anchura W (mm)	Altura H (mm)
KBZ21.5	37.5	585	270	270
KBZ21.5F	0	0	0	0
KBZ21.5M	0	0	0	0
KBZ22.2	39	585	270	270
KBZ22.2F	0	0	0	0
KBZ22.2M	0	0	0	0
KBZ23.7	65	685	325	300
KBZ23.7F	0	0	0	0
KBZ23.7M	0	0	0	0
KBZ31.5	37	585	270	270
KBZ31.5F	0	0	0	0
KBZ31.5M	0	0	0	0
KBZ32.2	39	585	270	270
KBZ32.2F	0	0	0	0
KBZ32.2M	0	0	0	0
KBZ33.7	65	685	325	300
KBZ33.7F	0	0	0	0
KBZ33.7M	0	0	0	0
KBZ35.5	84	725	355	370
KBZ35.5F	0	0	0	0
KBZ35.5M	0	0	0	0
KBZ43.7	66	685	325	300
KBZ43.7F	0	0	0	0
KBZ43.7M	0	0	0	0
KBZ45.5	85	725	355	370
KBZ45.5F	0	0	0	0
KBZ45.5M	0	0	0	0

