

AJmS Self priming pump stainless steel



Application

- Transfer of clear water or other liquids chemically and physically comparable to water
- Suitable for pumping in a well, automatic garden watering, overpressure of running water, etc.

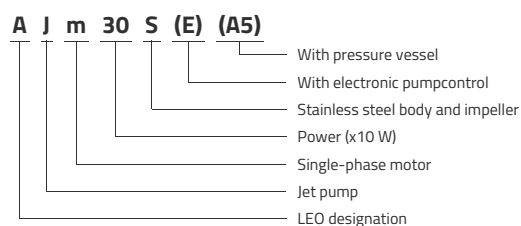
Pompe

- Stainless steel pump body
- Special anti-rust treatment (cataphoresis) of the lantern
- Stainless steel impeller
- AISI 304 stainless steel shaft
- Maximum liquid temperature: +40 °C
- Maximum suction height: 8 m

Moteur

- Integrated thermal protection for single-phase motors
- Insulation class: F
- Protection class: IPX4
- Maximum ambient temperature: +40 °C

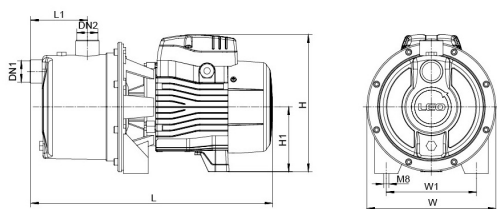
Identification codes



Technical data

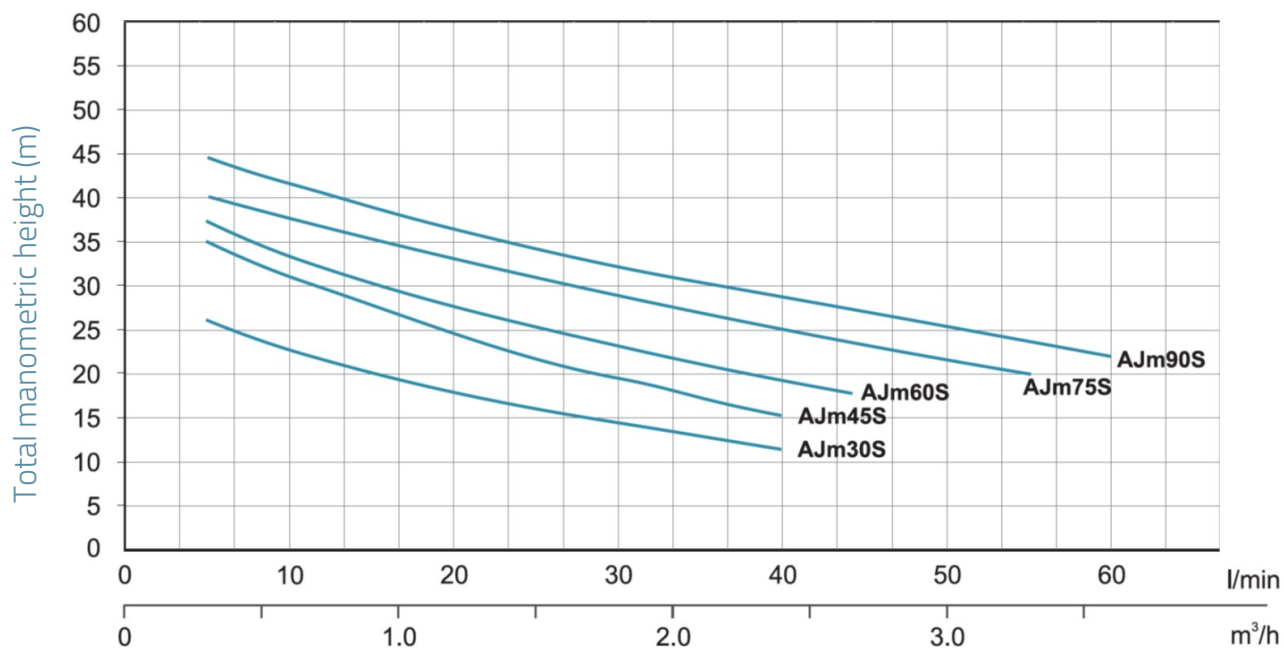
MODEL	kW	Q (m³/h)		Q (l/min)															
		0	0.3	0	5	10	15	20	25	30	40	47	50	55	60	67			
AJm30S	0.3	30	26	23	20	18	16.5	15	11										
AJm45S	0.45	38	35	31	27	25	22	20	16										
AJm60S	0.6	43	37	33	30	27	25	23	20	18									
AJm75S	0.75	46	40	38	36	34	32	30	27	25	23	20							
AJm75SE	0.75	46	40	38	36	34	32	30	27	25	23	20							
AJm75SA5	0.75	46	40	38	36	34	32	30	27	25	23	20							
AJm90S	0.9	48	44	42	39	37	35	34	31	29	28	26	22						
AJm90SE	0.9	48	44	42	39	37	35	34	31	29	28	26	22						
AJm90SA5	0.9	48	44	42	39	37	35	34	31	29	28	26	22						

Dimensions



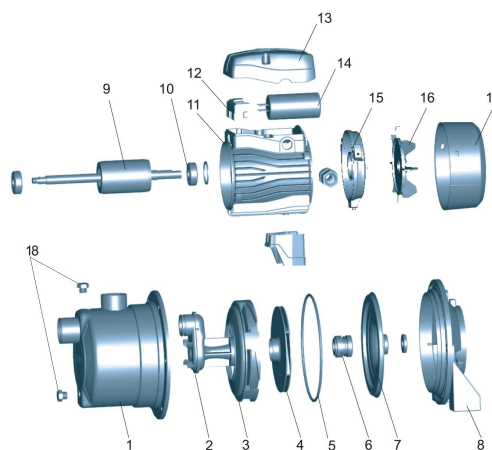
MODEL	DN1	DN2	L	W	H	L1	W1	H1
AJm30S	1	1	337	180	181.5	78	140	181.5
AJm45S	1	1	337	180	181.5	78	140	181.5
AJm60S	1	1	376	200	214	88.5	140	214
AJm75S	1	1	376	200	214	88.5	140	214
AJm75SE	1	1	376	200	214	88.5	140	214
AJm75SA5	1	1	376	200	214	88.5	140	214
AJm90S	1	1	376	200	214	88.5	140	214
AJm90SE	1	1	376	200	214	88.5	140	214
AJm90SA5	1	1	376	200	214	88.5	140	214

Hydraulic performance



Exploded view

No.	Type	Materials
1	Pump body	AISI 304 stainless steel
2	Venturi tube	noryl (PPO)
3	Diffuser	noryl (PPO)
4	Impeller	AISI 304 stainless steel
5	O-ring	nitrile rubber (NBR)
6	Mechanical seal	carbon / ceramic
7	Pump bottom	AISI 304 stainless steel
8	Lantern	cast aluminum ZL102
9	Rotor	
10	Bearing	
11	Stator	
12	Terminal board	polycarbonate
13	Electric box cover	ABS
14	Capacitor	
15	Rear cover	cast aluminum ZL102
16	Fan	polypropylene
17	Fan cover	polypropylene
18	Plug	AISI 304 stainless steel



Packaging

MODEL	Weight (kg)	Length L (mm)	Width W (mm)	Height H (mm)
AJm30S	6	350	180	220
AJm45S	6.9	350	180	220
AJm60S	9.2	420	228	257
AJm75S	10.1	420	228	257
AJm75SE	10.1	420	228	257
AJm75SA5	0	0	0	0
AJm90S	10.7	420	228	257
AJm90SE	0	0	0	0
AJm90SA5	0	0	0	0

